

Fuel Cell Power Supply

300 ... 900W / 12V and 24V

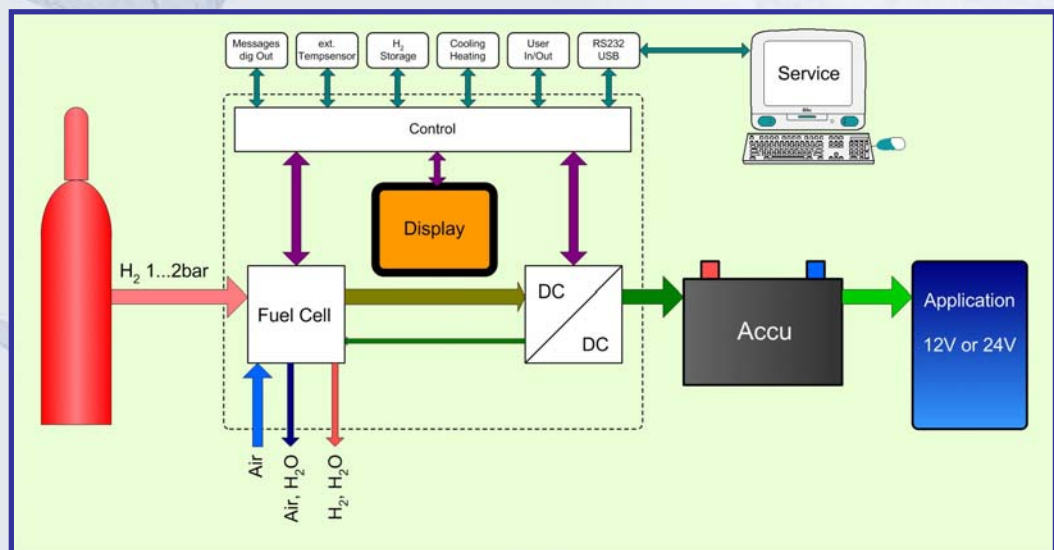


Characteristics:

fuel cell power supply 300W / 600W / 900W respectively 12V and 24V

- power generation with PEM fuel cells for pure hydrogen
- fully automatic voltage and current controlled charging operation
- monitoring functions provide complete protection against critical states such as:
 - over current
 - under voltage
 - over temperature
 - leaking hydrogen in the device
 - hydrogen deficiency
- form factor 19" housing
- PC interface for service and system integration
- suitable for self sufficient and hybrid power supplies and backup solutions in industry, trade, development and training

schematic:



Fuel Cell Power Supply

300 ... 900W / 12V and 24V

Technical information and data:

	300W	600W	900W
Performance data			
output voltage	10.5V DC ... 32.0V DC		
max. output current	30A	60A	90A
possible battery	lead acid battery 12V and 24V or UltraCap		
cooling	water glycol mixture		
Inputs/Outputs			
external temperature sensors	accu1, accu2, environment		
H ₂ valve control	relay contact max.1A		
H ₂ pressure detection	for pressure sensor/pressure switch 0 ... 10V		
cooler control	relay contact max.1A or 5V PWM signal		
heater control	relay contact max.1A		
user in/out (variable use)	2x analog in (0 ... 10V); 2x digital out (relay contact max.1A); 4x digital in (5 ... 30V)		
PC-connection	RS232/USB		
Gas supply			
gas supply	hydrogen purity 3.0 (99,9%) or better		
H ₂ operating pressure	min.1bar ... max.2bar		
H ₂ connection	self-sealing quick release		
CO-concentration	max.20ppm		
process air	no increased concentration of sulfur and chlorine compounds, ammonia, solvents and dust		
Environmental conditions			
environmental temperature	+5 ... +50°C		
storage temperature	+5 ... +65°C		
humidity	max.95%		
Housing			
form factor	19" 4HU	19" 6HU	
dimensions (WxHxD)	484x177x480mm	484x266x480mm	
housing material	aluminium and steel		

Order data:

	300W	600W	900W
Order no.	Zemis®FCS0300	Zemis®FCS0600	Zemis®FCS0900

FLEXIVA®



www.flexiva.eu
aes@flexiva.de

Weißbacher Straße 3
D-09439 Amtsberg

Phone: +49 37209 671- 0
Fax: +49 37209 671-30